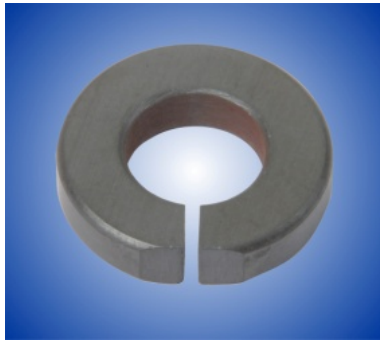
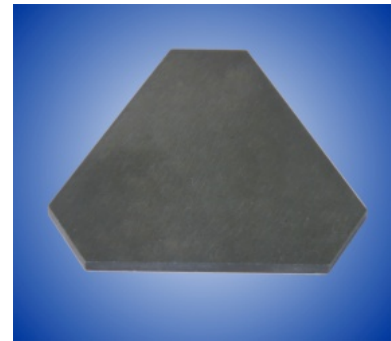
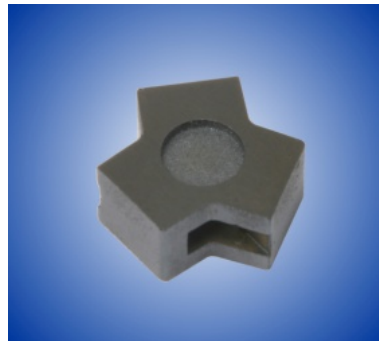
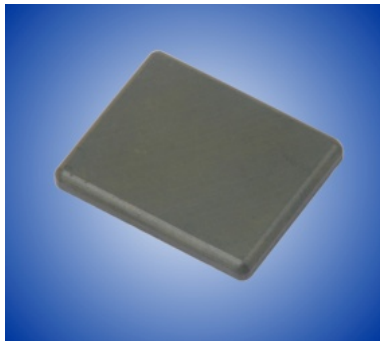


Garnets, Ferrite spinel and Hexaferrites



FERRITE DOMEN Co.
Since 1959



The company performing R&D and production of all kind of microwave garnets, spinels, hexaferrites, and absorbing ferrites used in various components of broad spectrum of radio engineering facilities such as radar antennas, telecommunication complexes including mobile satellite stations, electronic countermeasure systems, high power devices of particle accelerators, different contactless measuring/sensor instruments, the list can go on-and-on.

CONTENTS

Microwave Garnets		Page
	Symbols	8-2
1.	Yttrium Garnets	8-3
2.	YIG - Al doped	8-3
3.	Narrow Line Width Garnets	
	3.1. YIG - Ca doped	8-4
	3.2. YIG -Ca, V doped	8-4
4.	YIG - Gd, Al doped	8-5
5.	YIG - Gd, In doped	8-5
6.	YIG - Gd, rare earth elements doped	8-5
Microwave Spinel		
7.	Nickel ferrite spinels	8-6
8.	Lithium ferrite spinels	8-6
9.	Lithium ferrite spinels with excellent square loop properties	8-7
10.	Manganese ferrite spinels	8-7
Hot-pressed Microwave Garnet & Spinel		
11.	YIG, hot-pressed - for high peak power devices	8-8
12.	Nickel ferrite spinels, hot-pressed	
Microwave Hexaferrite		
13.	Hexaferrites	8-9
14.	High density hexaferrites	8-9
	Standard form factors of microwave material parts	8-10

FERRITE DOMEN Co.

25, Tsvetochnaya st., Bld. 3
196084 St. Petersburg, Russia

Fax +7 (812) 676 2929

E-mail: info@domen.ru

www.ferrite-domen.com

SYMBOLS

$4\pi M_s$	Saturation magnetization	Gauss
ΔH	FMR linewidth (3 dB)	Oe
ϵ'	Dielectric constant	—
$tg\delta_\epsilon$	Dielectric loss tangent	—
g_{eff}	Landé factor	—
T_c	Curie temperature	°C
ΔH_k	Spin wave linewidth	Oe
H_c	Coercive force	Oe
H_{Aeff}	Effective anizotropy field	Oe
B_r	Remanent flux density	Gauss
ρ	Balk density	g/cm^3
TK_ϵ	Temperature coefficient of dielectric constant	ppm/°C

Note. $\Delta H, \Delta H_k, \epsilon', tg\delta_\epsilon$ measured @ 9.4 GHz

1. Yttrium Garnets

Pure Yttrium garnets are the basic ferromagnetic materials for the whole series of YIG - doped compositions, see example grade.

Material grade	$4\pi M_s$ G $\pm 5\%$	ΔH (-3dB) Oe no more	ϵ' $\pm 5\%$	$tg\delta_\epsilon \cdot 10^4$ no more	g_{eff} $\pm 3\%$	Tc °C nominal	ΔH_k Oe nominal
NG-178	1780	35	15.1	2	2.00	280	1
NG-178-1	1780	25	15.1	2	2.00	280	1

2. YIG - Al doped

That series of microwave garnets is presented as the richest product mix by saturation magnetization values. They are most widely used in low power m-, dm-, and cm-wave devices.

Material grade	$4\pi M_s$ G	ΔH (-3dB) Oe no more	ϵ' $\pm 5\%$	$tg\delta_\epsilon \cdot 10^4$ no more	Tc °C nominal	ΔH_k Oe nominal
GA-150	1500±5%	45	14.9	2	250	1.5
GA-150-1	1500±5%	25	14.9	2	250	1.5
GA-140	1400±5%	45	14.8	2	245	1.5
GA-140-1	1400±5%	25	14.8	2	245	1.5
GA-120	1200±5%	45	14.6	2	230	1.5
GA-120-1	1200±5%	25	14.6	2	230	1.5
GA-110	1100±5%	45	14.5	2	220	1.5
GA-110-1	1100±5%	25	14.5	2	220	1.5
GA-100	1000±5%	45	14.5	2	210	1.5
GA-100-1	1000±5%	25	14.5	2	210	1.5
GA-90	900±5%	45	14.4	2	200	1.5
GA-90-1	900±5%	25	14.4	2	200	1.5
GA-80	800±5%	45	14.2	2	195	1.5
GA-80-1	800±5%	25	14.2	2	195	1.5
GA-65	650±5%	45	14.2	2	175	1.5
GA-65-1	650±5%	25	14.2	2	175	1.5
GA-58	580±5%	45	14.1	2	165	1.5
GA-58-1	580±5%	25	14.1	2	165	1.5
GA-48	480±5%	45	14.0	2	150	1.5
GA-48-1	480±5%	25	14.0	2	150	1.5
GA-40	400±25 G	40	13.9	2	130	2
GA-32	320±25 G	40	13.8	2	120	2
GA-20	200±25 G	40	13.7	2	100	2

Note. Landé factor, g_{eff} is 2.00 for all materials of this group.

3. Narrow Line Width Garnets

The garnets of this group feature the narrowest FMR linewidth of all YIG series. They are especially suitable for application in microwave devices (including cryogenic ones) having low losses and efficient in wide frequency and temperature ranges.

3.1. YIG - Ca doped

Material grade	$4\pi M_s$ G $\pm 5\%$	ΔH (-3dB) Oe no more	ϵ' $\pm 5\%$	$\text{tg}\delta_\epsilon \cdot 10^4$ no more	Tc °C nominal	g_{eff} $\pm 3\%$	ΔH_k Oe nominal
NG-195	1950	15	15.0	2	235	2.00	1
NG-190	1900	15	15.0	2	215	2.00	1
NG-185	1850	15	14.8	2	215	2.00	1
NG-160	1600	12	14.8	2	220	2.00	1
NG-140	1400	10	14.5	2	215	2.00	1
NG-120	1200	10	14.5	2	180	2.00	1
NG-100	1000	10	14.2	2	170	2.00	1
NG-80	800	10	14.1	2	160	2.00	1
NG-52	520	10	13.9	2	120	2.00	1

3.2. YIG - Ca, V doped

Material grade	$4\pi M_s$ G $\pm 5\%$	ΔH (-3dB) Oe no more	ϵ' $\pm 5\%$	$\text{tg}\delta_\epsilon \cdot 10^4$ no more	Tc °C nominal	g_{eff} $\pm 3\%$	ΔH_k Oe nominal
NGV-190	1900	15	14.8	2	215	2.00	1
NGV-160	1600	12	14.6	2	220	2.00	1
NGV-140	1400	10	14.5	2	215	2.00	1
NGV-120	1200	10	14.5	2	208	2.00	1
NGV-100	1000	10	14.2	2	200	2.00	1
NGV-80	800	10	14.0	2	190	2.00	1

4. YIG - Gd, Al doped

The prime features of these garnets are high temperature stability of their parameters, good squareness of hysteresis loop and raised threshold power. They find wide application in average and high power non-reciprocal as well as controlled microwave devices (phase shifters, switches, filter etc.).

Material grade	$4\pi M_s$ G +5%	ΔH (-3dB) Oe no more	ε' +5%	$tg\delta_\varepsilon \cdot 10^4$ no more	Tc oC nominal	Hc Oe nominal	Br G nominal	ΔH_k Oe nominal	g_{eff} +3%
GG-178	1780	42	15.0	2	280	0.55	1240	2	2.00
GG-160	1600	45	14.9	2	280	0.75	1120	4	2.00
GG-120	1200	75	15.2	2	280	0.60	820	8	2.01
GG-95	940	95	15.1	2	255	0.70	660	10	2.01
GG-80	800	85	14.7	2	240	0.55	525	9	2.01
GG-55	550	65	14.5	2	180	0.55	385	8	2.01
GG-50	490	200	14.5	2	205	0.65	325	21	2.03

5. YIG - Gd, In doped

The garnets of this group have low losses with rather high thermal stability of saturation magnetization and good threshold characteristics. They were developed for use in non-reciprocal average power devices.

Material grade	$4\pi M_s$ G	ΔH (-3dB) Oe no more	ε' $\pm 5\%$	$tg\delta_\varepsilon \cdot 10^4$ no more	g_{eff} $\pm 3\%$	Tc oC nominal	ΔH_k Oe nominal
GI-138	1380 $\pm 5\%$	20	15.0	2	2.00	240	5
GI-130	1300 $\pm 5\%$	42	15.1	2	2.00	225	6
GI-122	1220 $\pm 5\%$	20	14.9	2	2.00	220	3
GI-120	1200 $\pm 5\%$	35	15.0	2	2.01	220	10
GI-115	1150 $\pm 5\%$	35	15.1	2	2.00	230	7
GI-85	850 $\pm 5\%$	55	15.0	2	2.01	210	10
GI-63	630 $\pm 5\%$	48	14.6	2	2.01	150	14
GI-59	590 ± 30 G	90	14.0	2	2.01	210	2
GI-45	450 ± 25 G	48	14.5	2	2.02	135	13
GI-40	400 ± 25 G	95	14.5	2	2.03	160	13

6. YIG - Gd - Al, rare earth elements doped

The garnets of this group feature extremely good threshold characteristics. They are used in devices that must operate at high peak power levels.

Material grade	$4\pi M_s$ G	ΔH (-3dB) Oe no more	ε' $\pm 5\%$	$tg\delta_\varepsilon \cdot 10^4$ no more	Tc oC nominal	ΔH_k Oe no more	g_{eff} $\pm 3\%$
GH 128	1280 $\pm 5\%$	60	15.1	2	225	16	2.00
GH-90	900 $\pm 5\%$	140	15.5	2	280	14	2.01
GH 65-1	650 $\pm 5\%$	45	14.7	2	150	16	2.01
GH 47	470 ± 25 G	45	14.5	2	130	19	2.00

7. Nickel ferrite spinels

The spinels of this group feature high Curie temperature. They are widely used in resonance devices operating at cm- and mm- wave ranges.

Material grade	$4\pi M_s$ G $\pm 5\%$	ΔH (-3dB) Oe no more	ϵ' $\pm 5\%$	$tg\delta_\epsilon \cdot 10^4$ no more	g_{eff} $\pm 3\%$	Tc °C nominal	Hc Oe nominal	Br G nominal
SN-500	5000	150	13.4	6	2.11	345	1.5	3500
SN-475	4750	205	13.2	4	2.14	400	2.0	3150
SN-475-1	4750	170	13.7	5	2.11	325	1.0	2850
SN-450	4500	215	13.5	6	2.13	430	1.0	3100
SN-450-1	4500	100	14.5	5	2.05	280	≤ 0.4	≥ 2800
SN-400	4000	240	13.6	4	2.12	480	1.9	2400
SN-350	3500	360	13.2	6	2.21	540	3.8	2340
SN-315	3150	300	13.7	4	2.17	560	3.0	2000
SN-285	2850	300	13.7	5	2.20	550	3.0	1200
SN-250	2500	265	13.7	5	2.20	530	3.5	1100
SN-230	2300	205	13.2	6	2.20	500	3.5	900

8. Lithium ferrite spinels

Spinel of this group feature low non-resonant magnetic losses, high remanent flux density, and high Curie temperature.

They are mostly used in non-resonant controlled devices of low power levels at cm- and mm- wave ranges (phase shifters, switches etc.).

Material grade	$4\pi M_s$ G $\pm 5\%$	ΔH (-3dB) Oe no more	ϵ' $\pm 5\%$	$tg\delta_\epsilon \cdot 10^4$ no more	g_{eff} $\pm 3\%$	Tc °C nominal	Hc Oe nominal	Br G nominal
SL-475	4750	300	14.4	6	2.06	450	1.1	3250
SL-470	4700	200	14.7	5	2.06	440	≤ 0.6	≥ 3000
SL-450	4500	335	15.1	5	2.02	520	1.1	2900
SL-420	4200	150	14.6	5	2.05	310	≤ 0.4	≥ 2800
SL-400	4000	480	15.0	6	2.06	570	1.4	2600
SL-340	3400	600	15.0	5	1.98	580	2.4	2400
SL-315	3150	505	15.5	4	2.05	560	1.5	2150
SL-250	2500	500	15.4	5	1.98	550	1.91	1750
SL-225	2250	350	16.3	5	2.04	430	1.1	1650
SL-210	2100	335	16.3	7	2.00	430	1.2	1500
SL-200	2000	430	16.2	5	2.02	440	1.3	1450
SL-187	1870	340	16.0	8	2.04	300	≤ 1.4	≥ 1200
SL-155	1550	420	16.6	5	2.05	390	1.1	1100

9. Lithium ferrite spinels with excellent square loop properties

Material grade	$4\pi M_s$ G $\pm 5\%$	ΔH (-3dB) Oe no more	ϵ' $\pm 5\%$	$tg\delta_\epsilon \cdot 10^4$ no more	g_{eff} $\pm 3\%$	Tc °C nominal	Hc Oe nominal	Br G nominal
SL-475-1	4750	200	14.7	3	2.06	450	0.7...0.9	≥ 3000
SL-450-2	4500	280	14.7	3	2.08	540	1.0...1.5	≥ 3000
SL-450-3	4500	280	14.7	3	2.08	480	2.0...3.0	≥ 3000

10. Manganese ferrite spinels

These materials are applied where it is necessary to have low magnetic and dielectric losses.

Material grade	$4\pi M_s$ G $\pm 5\%$	ΔH (-3dB) Oe no more	ϵ' $\pm 5\%$	$tg\delta_\epsilon \cdot 10^4$ no more	g_{eff} $\pm 3\%$	Tc °C nominal	Hc Oe nominal	Br G nominal
SM-210	2100	320	13.0	8	2.06	360	2.0	---
SM-190	1900	530	11.7	4	---	300	4.0	---
SM-170	1700	330	12.3	6	---	260	5.5	1030
SM-160	1600	570	12.5	2.5	2.10	350	4.5	---
SM-145	1450	150	12.0	4	2.02	140	1.0	250
SM-105	1050	360	10.5	2.5	1.98	330	1.0	---
SM-88	880	90	10.2	20	---	90	0.9	400
SM-78	780	210	10.0	4.0	---	160	2.0	---
SM-70	700	185	9.5	2.5	---	140	2.0	560

11. YIG, hot-pressed - for high peak power devices

The garnets of this group feature extremely good threshold characteristics. They are used in devices that must operate at high peak power levels.

Material grade	$4\pi M_s$ G	ΔH (-3dB) Oe no more	ϵ' $\pm 5\%$	$\text{tg}\delta_\epsilon \cdot 10^4$ no more	Tc °C nominal	ΔH_k Oe no more	g_{eff} $\pm 3\%$
GH 178	1780±5%	40	15.1	2	280	6	1.99
GH 120	1200±5%	140	15.0	2	275	18	2.01
GH-90-1	650±5%	45	14.8	2	165	12	2.01
GH 65	650±5%	80	14.7	2	150	16	2.01
GH 33	330±25 G	160	14.2	2	160	26	2.02

12. Nickel ferrite spinels, hot-pressed

The hot-pressed Nickel spinels are characterized by very low porosity and high thermal conductivity of ferrite article body. They are recommended for use in microstrip microwave devices as well as high power waveguide ones.

Material grade	$4\pi M_s$ G $\pm 5\%$	ΔH (-3dB) Oe no more	ϵ' $\pm 5\%$	$\text{tg}\delta_\epsilon \cdot 10^4$ no more	g_{eff} $\pm 3\%$	Tc °C nominal	Hc Oe nominal	Br G nominal	ΔH_k Oe nominal
SH-520	< 5200	95	14,3	2	2.08	355	1.0	3200	> 6
SH-520-1	< 5200	115	14.2	4	2.10	365	1.0	3200	6
SH-500	5000	130	14.0	4	2.10	345	1.4	3000	12.5
SH-495	4950	170	13.9	4	2.09	420	1.9	3200	12.5
SH-495-1	4950	90	14.4	2	2.08	385	1.1	3400	> 9
SH-435	4350	140	13.9	6	2.10	440	4.0	2300	---
SH-315	3150	220	13.7	3	2.17	560	4.0	1350	---
SH-295	2950	250	13.9	5	2.17	550	3.2	1600	20
SH-230	2300	140	13.5	5	2.26	500	10.8	900	20

Hexaferrites occupy a special place among the microwave magnetic materials. They feature high magnetic anisotropy (17 kOe) and are recommended for the use in millimeter wave isolators and circulators workable at frequencies 10 GHz through 100 GHz. Hexaferrites permit to create miniaturized yet discrete microwave devices that do not require a permanent biasing magnets in the component package.

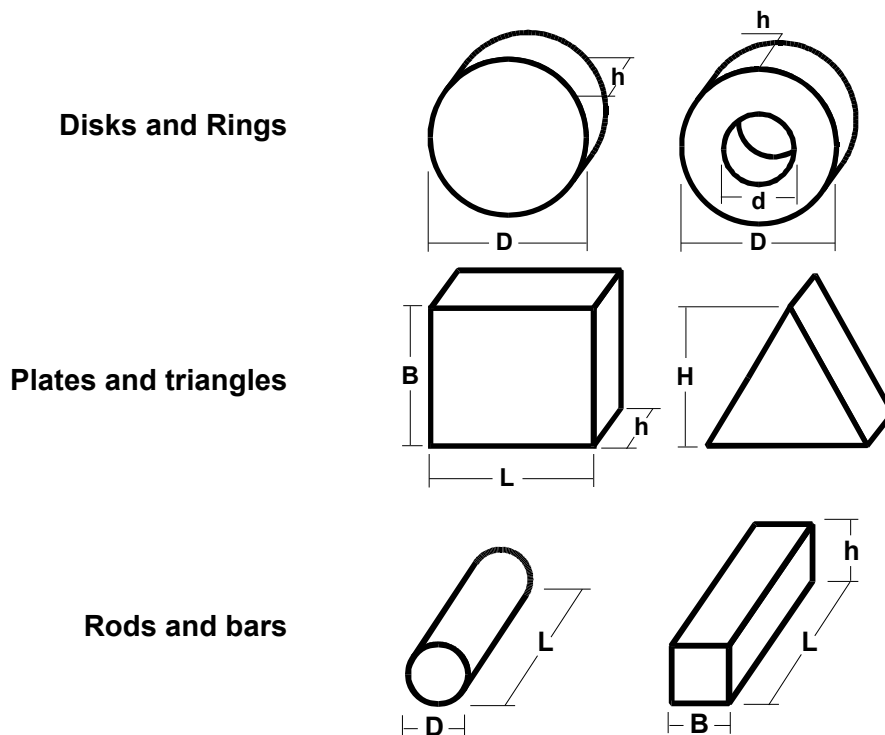
High-density hexaferrites are ideal for MIC application and microstrip mm-wave devices.

13. Hexaferrites

Material grade	H _{aeff} kOe ±5%	4πM _s G ±5%	ΔH (-3dB) kOe no more	ε' ±5%	tgδ _ε ·10 ⁴ no more	T _c °C nominal	H _c kOe nominal	ρ g/cm ³
H 6	6	2850	3.0	13	10	450	0.07	4.20
H 9	9	3000	3.5	13	8	475	0.15	4.10
H12	12	3150	3.5	13	8	520	0.4	4.10
H15	15	2900	3.5	13	8	400	1.5	4.10
H18	18	2200	3.5	13	10	435	2.5	4.10
H21	21	1800	3.0	13	20	400	2.8	4.10
H23	23	1900	3.5	14	10	310	3.0	4.10
H25	25	1700	3.5	14	10	300	3.0	4.10
H28	28	1400	3.5	14	10	270	3.0	4.10
H31	31	1500	3.0	15	20	255	3.0	4.40
H33	33	1600	3.0	15	20	237	3.0	4.40
H35	35	1400	3.5	15	20	215	3.0	4.40

14. High density hexaferrites

Material grade	H _{aeff} kOe ±5%	4πM _s G ±5%	ΔH (-3dB) kOe no more	ε' ±5%	tgδ _ε ·10 ⁴ no more	T _c °C nominal	H _c kOe nominal	ρ g/cm ³
HD6	6	3400	2.5	17	10	450	0.05	4.90
HD11	11	3700	2.5	17	10	507	0.1	4.90
HD16	16	3300	2.0	17	10	465	1.5	4.90
HD17	17	4300	2.0	20	8	470	0.6	5.20
HD19	19	3500	2.0	17	6	400	2.5	4.90
HD20	20	2400	2.0	17	10	400	0.6	4.90
HD22	22	3000	1.5	18	8	340	3.0	4.95
HD28	28	2100	1.5	17	10	270	3.0	4.95
HD30	30	2000	1.5	17	10	260	3.0	4.95
HD32	32	1800	1.5	17	10	250	3.0	4.95
HD33	33	1700	1.5	17	10	240	3.0	4.95



Dimensions of garnets, ferrite spinels, mm

	Disks	Plates and triangles	Rods and bars	Rings
D	10...120	—	5...40	5...100
L	—	15...120	20...120	—
B	—	5...60	5...30	—
H	—	≤ 90	—	—
h	3...10	3...10	5...15	2.5...15
d	—	—	—	2...70

Dimensions of hexaferrites and hot-pressed ferrites, mm

	Disks	Plates
D	20...45	—
L	—	≤ 40
B	—	≤ 35
h	2.5...4	2.5...4

Standard surface finish of parts: $\pm 0,02$ mm

Standard surface roughness: $R_a \geq 0,6$ mm

Fabrication of customized parts is being provided.